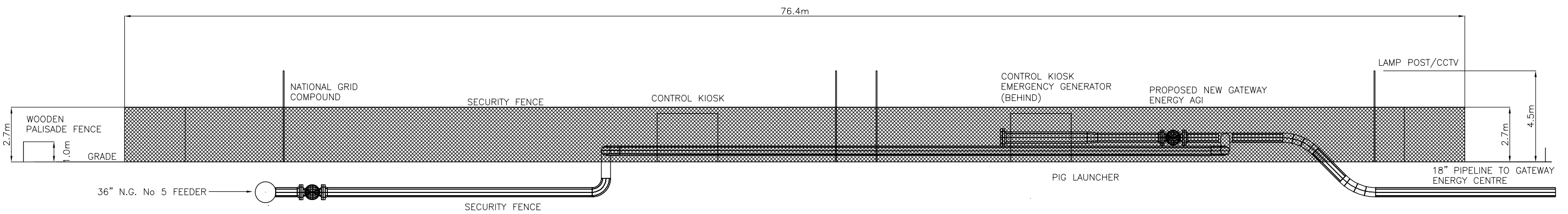



ELEVATION LOOKING WEST



ELEVATION LOOKING NORTH

This drawing is the sole property of IACS Corrosion Engineering Ltd. and should not be copied in total or any part thereof without prior written permission of the owner. This is a CAD drawing and should not be altered manually. Do not scale. If in doubt ask.

							CLIENT	 <b>GATEWAY ENERGY CENTRE LTD</b>		PROJECT	GATEWAY ENERGY PIPELINE	
							<b>IACS</b> Corrosion Engineering Ltd Hazelbank House, Downe Rd Keston BR2 6AD Tel: 01959 570011 Fax: 01959 573322			TITLE	INDICATIVE BUTTS LANE A.G.I. NORTH & WEST ELEVATIONS	
								FILE LOCATION:	SCALE: 1:100	A1	DRG. No. GEC-DWG-09-333-016 SHT 01	REV. D
REV.	DR'N	DATE	CH'D	DATE	APP'D	DATE	REVISION COMMENTS					
GEC-DWG-09-333-003	BUTTS LANE AGI GENERAL ARRANGEMENT	B	MF	06.12.10	PL	06.12.10	ISSUED FOR CLIENT COMMENTS					
GEC-DWG-09-333-014	PIPING & INSTRUMENTATION DIAGRAM	A	MF	04.12.10	PL	04.12.10	ISSUED FOR INTERNAL COMMENT					
	REFERENCE DRAWINGS											